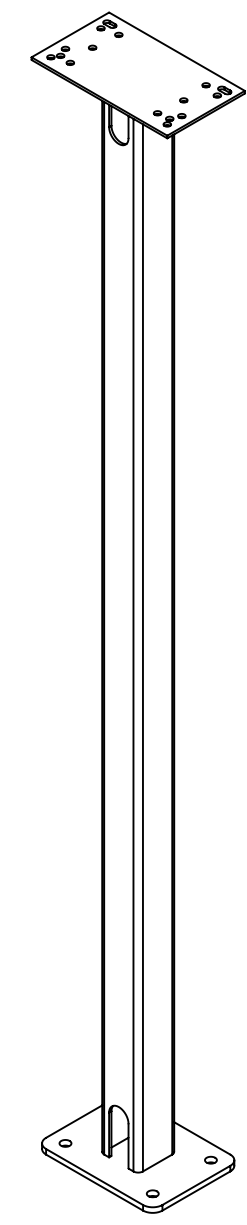
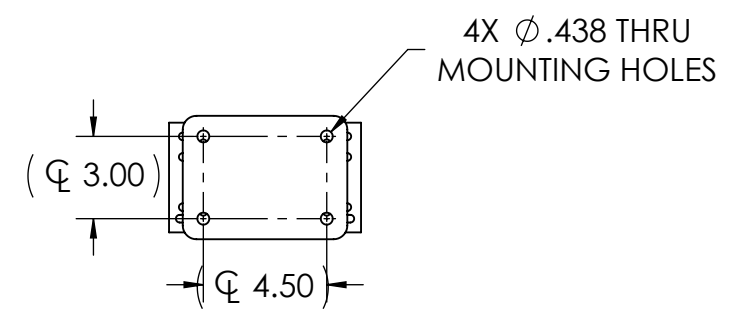


REVISION				
REV	ECO	DESCRIPTION	INIT	DATE
A	----	CUSTOMER DIMENSIONAL DRAWING	---	04/22/2024



PN 126384 INCLUDES 1/4-20 MOUNTING HARDWARE



DESIGNED BY / DATE	DRAWN BY / DATE	PEER APPROVAL / DATE	RICE LAKE WEIGHING SYSTEMS	
TREATMENT POWDER COATED	THIS DRAWING AND INFORMATION CONTAINED HEREIN, IS AND REMAINS THE PROPERTY OF RICE LAKE WEIGHING SYSTEMS INC., HEREINAFTER REFERRED TO AS RLWS. IT MAY BE USED ONLY FOR RLWS' PROPOSAL AND/OR ITS CUSTOMERS' ORDERS. IT SHALL NOT BE DISCLOSED OR COPIED WITHOUT RLWS SPECIFIC WRITTEN CONSENT AND SHALL BE IMMEDIATELY RETURNED UPON REQUEST.	UNLESS OTHERWISE SPECIFIED UNITS TO BE INCHES ALL THREADS TO BE CLASS 2 ALL DIMENSIONS APPLICABLE AFTER TREATMENT	DESCRIPTION FLOOR STAND, INDICATOR 48.00 TALL	
NUMBER OF CRANES: MINIMUM CRANE CAPACITY: ESTIMATED WEIGHT (POUNDS)	TOLERANCES DRAWING TOLERANCES UNLESS OTHERWISE SPECIFIED .XX: $\pm .06$.XXX: \pm --- ANGLE: $\pm 1^\circ$	SCALE 1:7	SHEET 1 OF 1	MATERIAL MILD STEEL
	THIRD ANGLE PROJECTION	P/N 126384		REV A