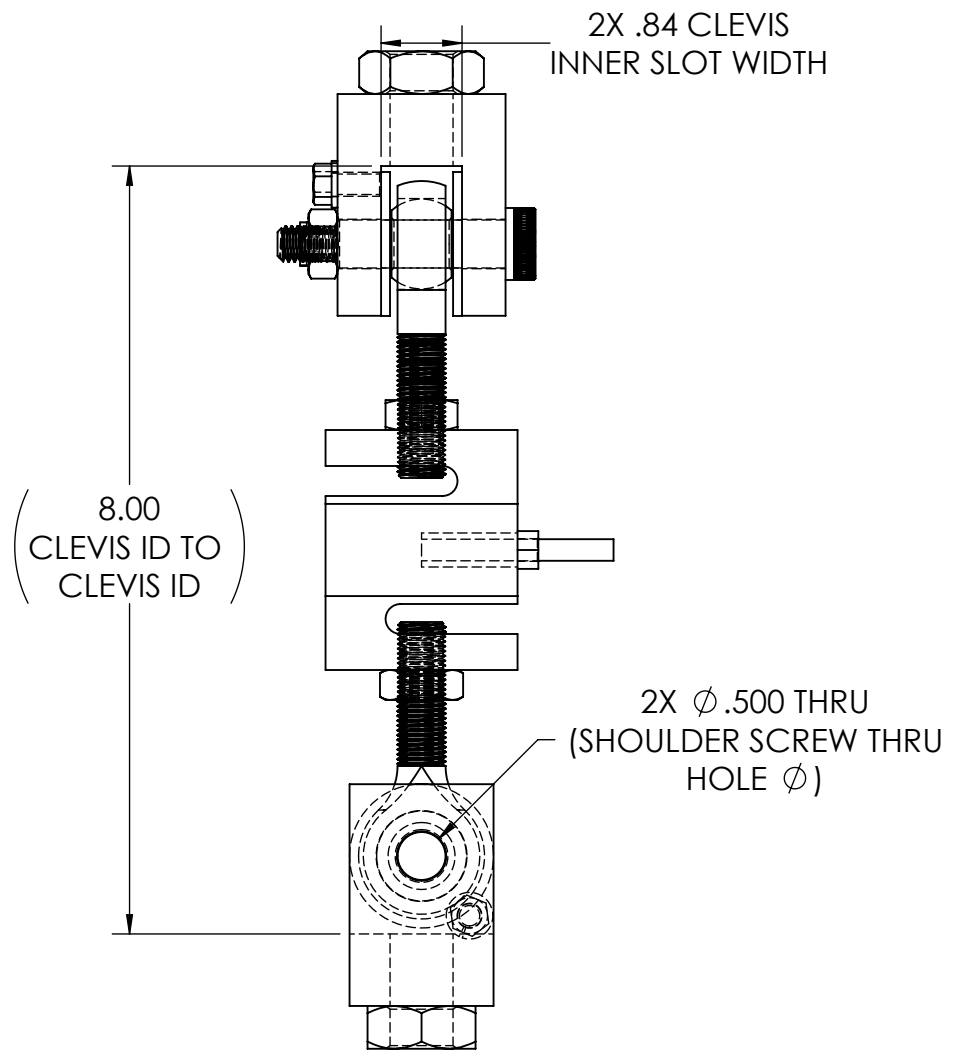
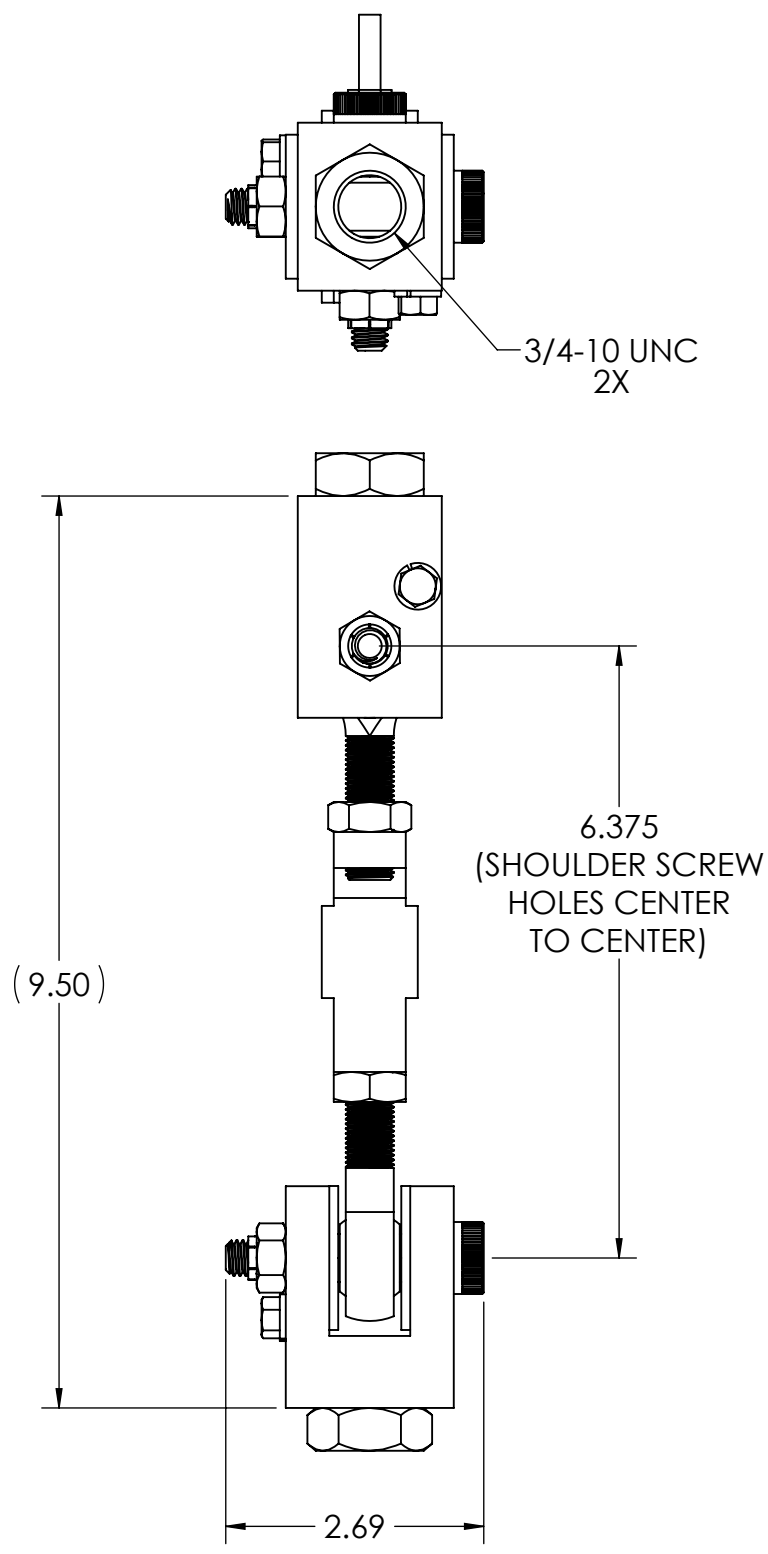


REVISION				
REV	ECO	DESCRIPTION	INIT	DATE
A	-	CUSTOMER DIMENSIONAL DRAWING	-	05/30/2023



RLWS PN 17835 - 1,000LB CAPACITY ITCM MOUNT ASSEMBLY

DESIGNED BY / DATE	DRAWN BY / DATE	PEER APPROVAL / DATE		
TREATMENT NONE	THIS DRAWING AND INFORMATION CONTAINED HEREIN, IS AND REMAINS THE PROPERTY OF RICE LAKE WEIGHING SYSTEMS INC., HEREINAFTER REFERRED TO AS RLWS. IT MAY BE USED ONLY FOR RLWS' PROPOSAL AND/OR ITS CUSTOMERS' ORDERS. IT SHALL NOT BE DISCLOSED OR COPIED WITHOUT RLWS SPECIFIC WRITTEN CONSENT AND SHALL BE IMMEDIATELY RETURNED UPON REQUEST.			
NUMBER OF CRANES:	TOLERANCES DO NOT SCALE DRAWING SURFACE FINISH ESTIMATED WEIGHT (POUNDS) 3.39		DESCRIPTION MOUNT ASSY,ITCM 1,000 LB 3/4-10NC MILD STEEL ZINC PLATED TENSION INCL RL20000-1,000 LB	
	TOLERANCES .XX: .XXX: ANGLE:	SCALE 1:4	SHEET 1 OF 1	MATERIAL SEE BOM
		THIRD ANGLE PROJECTION P/N 17835		REV A