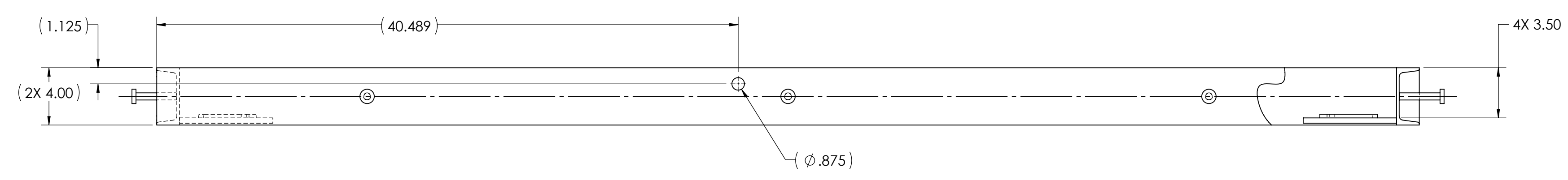
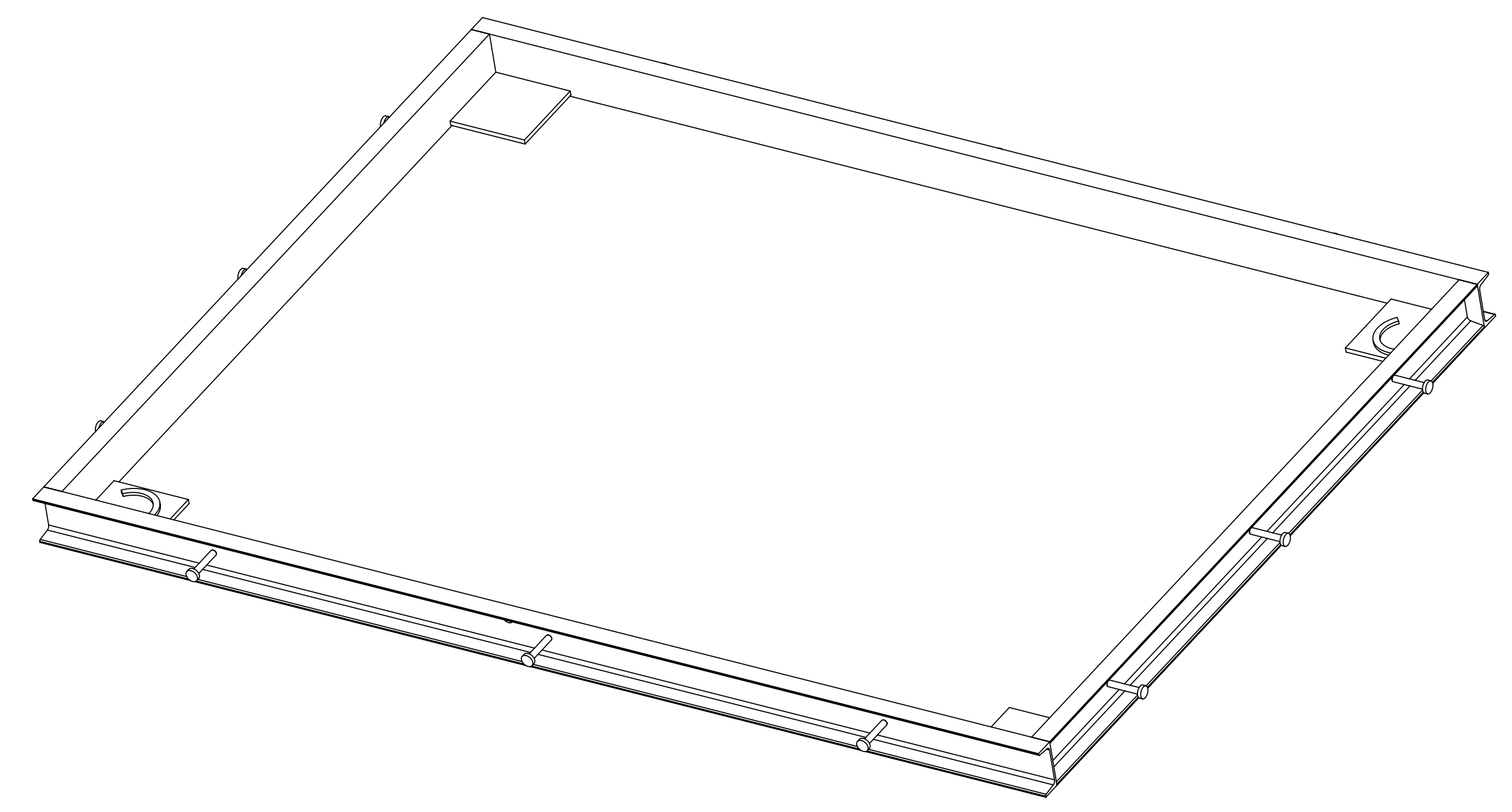
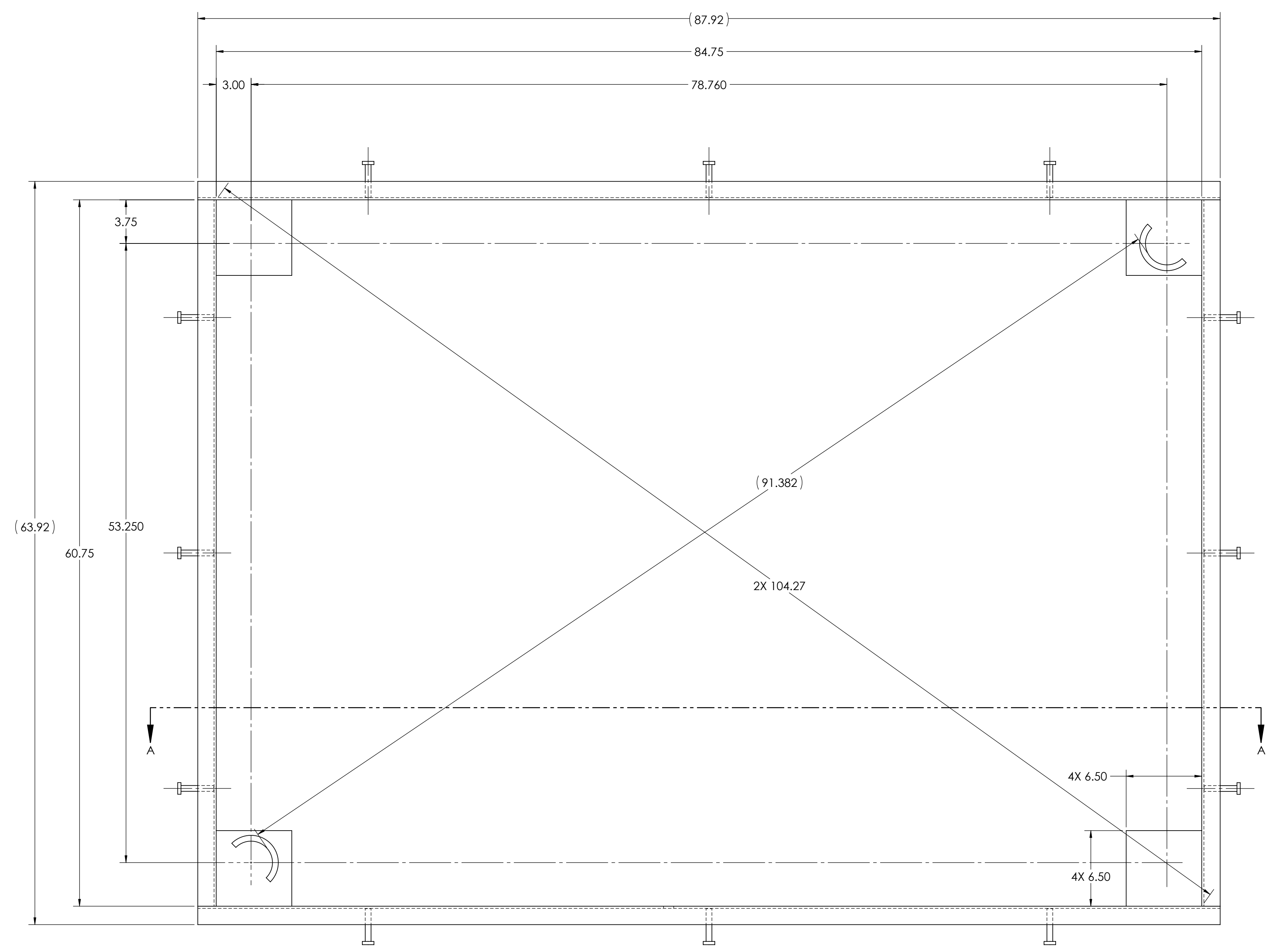


REV	ECO	REVISION DESCRIPTION	INIT	DATE
A	-	CUSTOMER DIMENSIONAL DRAWING	-	04/22/2026



DESIGNED BY / DATE	DRAWN BY / DATE	PEER APPROVAL / DATE	<b>TRICE LAKE WEIGHING SYSTEMS</b>	
TREATMENT POWDERCOATED	THIS DRAWING AND INFORMATION CONTAINED HEREIN IS AND REMAINS THE PROPERTY OF RICE LAKE WEIGHING SYSTEMS INC. - HEREINAFTER REFERRED TO AS RLWS. IT MAY BE USED ONLY FOR RLWS' PROPOSAL AND/OR ITS CUSTOMERS' ORDERS. IT SHALL NOT BE DISCLOSED OR COPIED WITHOUT RLWS' SPECIFIC WRITTEN CONSENT AND SHALL BE IMMEDIATELY RETURNED UPON REQUEST.	UNLESS OTHERWISE SPECIFIED UNITS TO BE INCHES ALL THREADS TO BE CLASS 2 ALL DIMENSIONS APPLICABLE AFTER TREATMENT	DESCRIPTION <b>PIT FRAME, ROUGHDECK 5 X 7, MILD STEEL W/O JUNCTION BOX</b>	
NUMBER OF CRANES MINIMUM CRANE CAPACITY	DO NOT SCALE DRAWING SURFACE FINISH ESTIMATED WEIGHT (POUNDS) 152.10	TOLERANCES DRAWING TOLERANCES UNLESS OTHERWISE SPECIFIED .XX: ±.06 .XXX: ±.030 ANGLE: ±1°	SCALE 1:6	SHEET 1 OF 1
			MATERIAL MILD STEEL	REV <b>A</b>
			THIRD ANGLE PROJECTION	224278